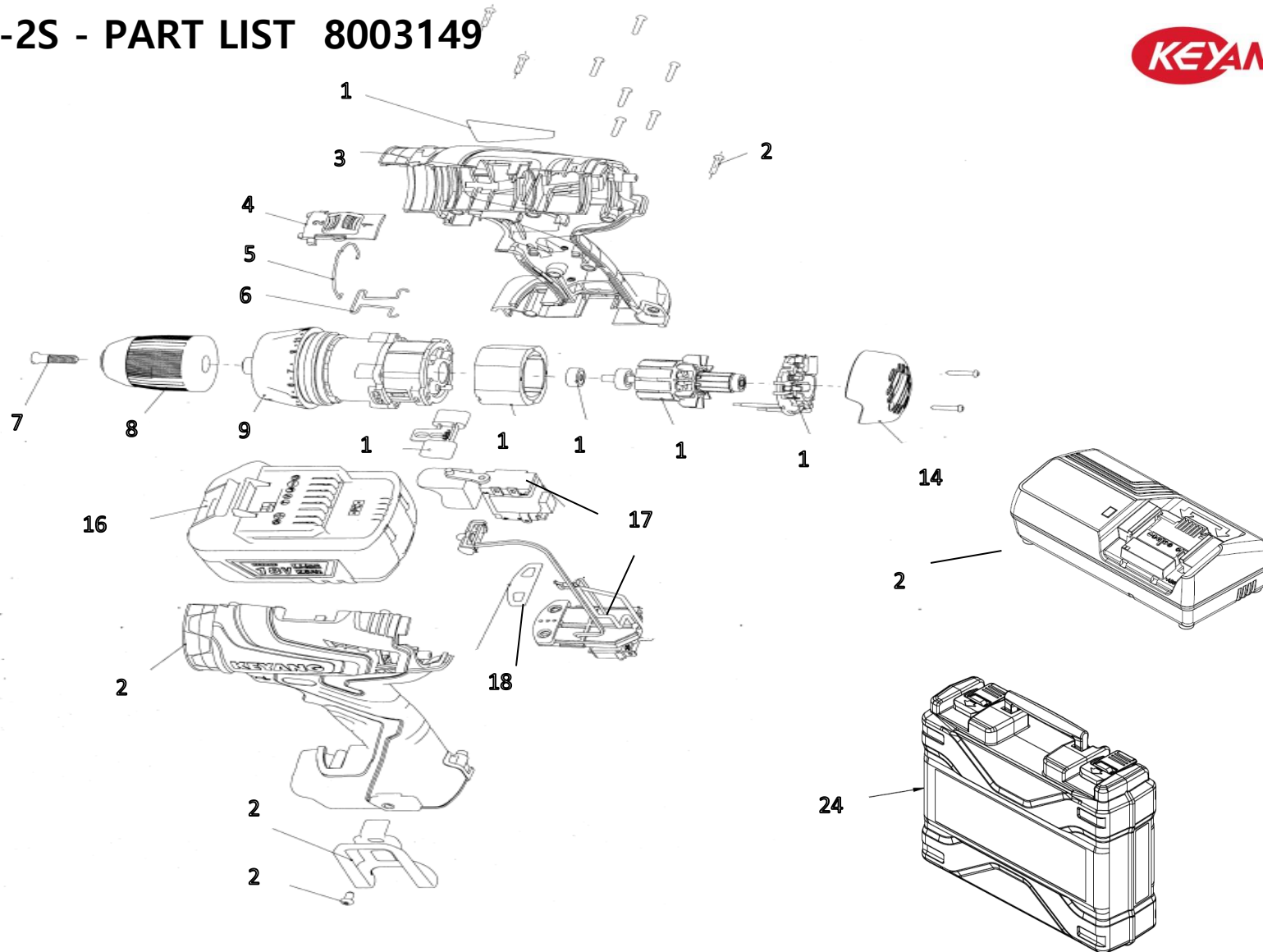


DD-1801L-2S - PART LIST 8003149



PARTS

DD-1801L-2S

Item no.	Part no.	Description	Q'ty	Remark
1	7726573	NAME PLATE	1	Price with EUR
2	2405068	+PAN HD TAP SCREW(M3*16,2pcs)	11	

3	2113204	HOUSING ASS'Y(Silk Print)	1		
4	3240329	SHIFT KNOB ASS'Y	1		INCL. 5,6
5	2412088	KNOB SPRING(B)	1		
6	2412087	KNOB SPRING(A)	1		
7	2404807	SPECIAL SCREW(M6*24.5)	1		
8	2456123	KEYLESS CHUCK(13MM,1/2),	1		
9	3109112	GEAR BOX ASS'Y	1		
10	3019915	S/T ASS'Y(T26)	1		
11	2240029	PINION GEAR	1		
12	3005816	ARMATURE ASS'Y(AS,18V)	1		INCL. 11. PINION
13	3119409	BRUSH HOLDER ASS'Y(PPS)	1		
14	2113204	HOUSING CAP ASS'Y	1		
15	2113203	REVERSE KNOB	1		
16	5070518	BATTERY PACK ASS'Y (4.0AH)	1		
17	2008127	SWITCH ASS'Y(20.4VDC, 25A)	1		
18	7735127	INLAY	1		
21	2065246	HOOK	1		
22	2406202	+TRUSS HD M/C SCREW(M4*8, black)	1		

* RSP : Recommended Spare Part

STANDARD ACCESSORIES

DDH-1801L-2S

Item no.	Part no.	Description	Q'ty	Remark
24	3050349	PLASTIC KIT ASS'Y(18V,3.0AH),	1	Price with EUR
	7749087	MULTI MANUAL	1	
26	3111593	CHARGER ASS'Y(C14439)	1	
	2011335	CARBON BRUSH(AS),DID-1440L	1	

* RSP : Recommended Spare Part