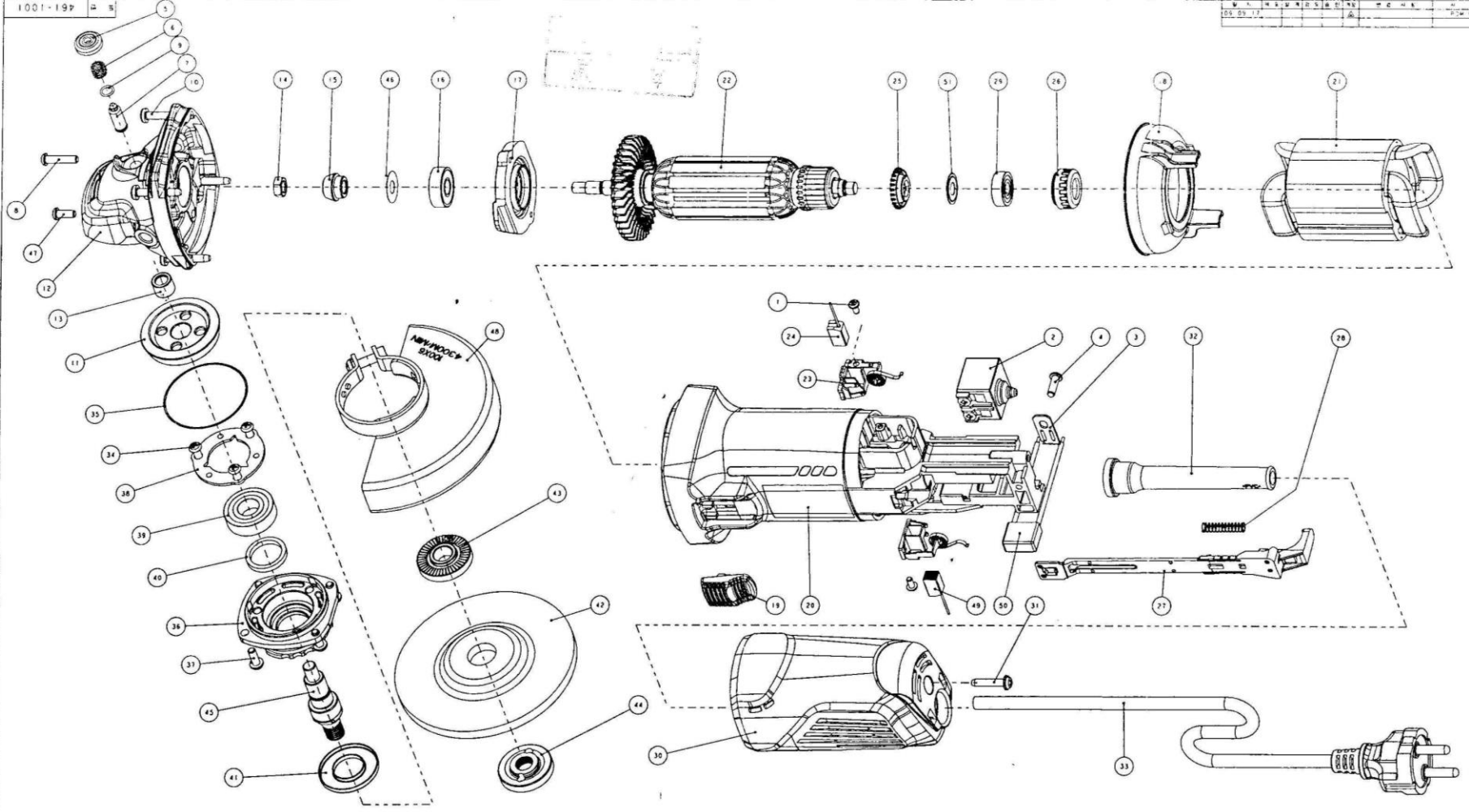


1001-19P

| | | | | | | | | | | | | | | | | | | | | | | | | | | | | | | | | | | | | | | | | | | | | | | | | | | | | | | | | | | | | | | | | | | | | | | | | | | | | | | | | | | | | | | | | | | | | | | | | | | | | | | | | | | | | | | | | | | | | | | | | | | | | | | | | |
|---|---|---|---|---|---|---|---|---|---|---|---|---|---|---|---|---|---|---|---|---|---|---|---|---|---|---|---|---|---|---|---|---|---|---|---|---|---|----|----|----|----|----|----|----|----|----|----|----|----|----|----|----|----|----|----|----|----|----|----|----|----|----|----|----|----|----|----|----|----|----|----|----|----|----|----|----|----|----|----|----|----|----|----|----|----|----|----|----|----|----|----|----|----|----|----|----|----|----|----|----|----|----|----|----|----|----|----|----|----|----|----|----|----|----|----|----|----|----|----|----|----|----|----|----|----|----|----|-----|
| М | А | В | Г | Д | Е | Ж | З | И | К | Л | М | Н | О | П | Р | С | Т | У | Ф | Х | Ц | Ч | Ш | Щ | Э | Ю | Я | 0 | 1 | 2 | 3 | 4 | 5 | 6 | 7 | 8 | 9 | 10 | 11 | 12 | 13 | 14 | 15 | 16 | 17 | 18 | 19 | 20 | 21 | 22 | 23 | 24 | 25 | 26 | 27 | 28 | 29 | 30 | 31 | 32 | 33 | 34 | 35 | 36 | 37 | 38 | 39 | 40 | 41 | 42 | 43 | 44 | 45 | 46 | 47 | 48 | 49 | 50 | 51 | 52 | 53 | 54 | 55 | 56 | 57 | 58 | 59 | 60 | 61 | 62 | 63 | 64 | 65 | 66 | 67 | 68 | 69 | 70 | 71 | 72 | 73 | 74 | 75 | 76 | 77 | 78 | 79 | 80 | 81 | 82 | 83 | 84 | 85 | 86 | 87 | 88 | 89 | 90 | 91 | 92 | 93 | 94 | 95 | 96 | 97 | 98 | 99 | 100 |
|---|---|---|---|---|---|---|---|---|---|---|---|---|---|---|---|---|---|---|---|---|---|---|---|---|---|---|---|---|---|---|---|---|---|---|---|---|---|----|----|----|----|----|----|----|----|----|----|----|----|----|----|----|----|----|----|----|----|----|----|----|----|----|----|----|----|----|----|----|----|----|----|----|----|----|----|----|----|----|----|----|----|----|----|----|----|----|----|----|----|----|----|----|----|----|----|----|----|----|----|----|----|----|----|----|----|----|----|----|----|----|----|----|----|----|----|----|----|----|----|----|----|----|----|----|----|----|----|-----|



| NO | Part No. | Part Name | Spec. | Unit | Need |
|----|----------|--|----------------------|------|------|
| | 8103256 | DISC GRINDER DG-852 | 220V 850W 125MM | EA | 1 |
| 2 | 2008223 | PUSH BUTTON SWITCH(JIABEN, 220V), DG-850 | JIABEN, 220V | EA | 1 |
| 24 | 2011337 | CARBON BRUSH DG-850 | L48 F12 | EA | 1 |
| 49 | 2011338 | CARBON BRUSH (AUTO) DG-850 | L48 F12 AUTO | EA | 1 |
| 46 | 2023133 | SPINDLE, DG-125 | M14*2.0 | EA | 1 |
| 11 | 2024343 | GEAR,DG-100A | M=1.15 Z=39 | EA | 1 |
| 15 | 2024344 | PINION, DG-100A | M=1.15 Z=11 M6 | EA | 1 |
| 7 | 2030038 | LOCK PIN DG-100H | 45,NEW | EA | 1 |
| 44 | 2036724 | WHEEL NUT,DG-180FB | M14*2.0,D22.2,CCC | EA | 1 |
| 36 | 2040015 | PACKING GLAND,ACT-100M | SILVER,EN | EA | 1 |
| 12 | 2040018 | GEAR COVER(SILVER) DG-850 | ALDC | EA | 1 |
| 17 | 2040019 | BEARING COVER DG-850 | ALDC | EA | 1 |
| 46 | 2050065 | PLATE,DG-850 | STS304,φ17.5*10.2 | EA | 1 |
| 38 | 2050628 | BEARING COVER(B), DG-100B | SPCC | EA | 1 |
| 3 | 2052318 | CORD CLIP DG-100B2 | SPCC PRESS SMALL | EA | 1 |
| 40 | 2054224 | FELT PACKING, DG-100B | 3T*18*22.5 | EA | 1 |
| 41 | 2054410 | FRINGER, DG-100H | SCP1 PRESS | EA | 1 |
| | 2061513 | WRENCH, DG-851 | ASSY | EA | 1 |
| 51 | 2064287 | DUST SEAL, DG-850 | SPCC PRESS ID7.2 | EA | 1 |
| 32 | 2070334 | CORD ARMOR DG-100B | INSERT PVC 4mm 9 | EA | 1 |
| 26 | 2072329 | RUBBER PACKING,DG-100B2 | NBR | EA | 1 |
| 5 | 2110083 | PUSH BUTTON DG-100H | BLACK, NEW | EA | 1 |
| 30 | 2110092 | TAIL COVER,DG-850 | PA6+ GF33 BLACK | EA | 1 |
| 20 | 2110209 | HOUSING(RED),DG-850 | PA6+ GF33 RED | EA | 1 |
| 19 | 2110211 | S/W KNOB(BLACK), DG-850 [S/W KNOB] | POM BLACK | EA | 1 |
| 18 | 2110212 | FAN GUIDE DG-850 [FAN GUIDE] | PA6 +GF33 BLACK | EA | 1 |
| 27 | 2110213 | SWITCH ROD ASSY DG-850 | | EA | 1 |
| 25 | 2130919 | DUST COVER DG-100B2 | PBT GF30Percent | EA | 1 |
| | 2131611 | SIDE HANDLE, DGJ-100K | M8*25 | EA | 1 |
| 43 | 2201429 | WHEEL WASHER(D14,D22.2) DG-180FB | ID14 SMF4040 10T | EA | 1 |
| 10 | 2400013 | +PAN HD TAP M4*25 ARGENT DG-850 | M4*25 ARGENT | EA | 4 |
| 1 | 2400014 | +PAN HD TAP SCREW DG-850 | M3*8 2TYPE YELLOW | EA | 1 |
| 8 | 2400015 | +PAN HD M/C S and SW M4*18 | M4*18 ,SILVER | EA | 1 |
| 47 | 2400016 | +PAN HD M/C S and SW M4*10 | M4*10 ,SILVER | EA | 1 |
| 14 | 2403047 | HEX NUT, DG-100B | M6 TYPE2 | EA | 1 |
| 34 | 2404110 | +PAN HD M/C SCREW M4*10, DG-100B | M4*10 COAT YELLOW | EA | 1 |
| 4 | 2404352 | +PAN HD M/C S and SW M4*12, DG-100B | M4*12 BLACK | EA | 4 |
| 31 | 2405146 | +PAN HD TAP S and PW M4*20, PDS2-10 | M4 *20 BLACK PB/W | EA | 1 |
| 37 | 2405412 | +PAN HD T/T-B M4*12, DG-150B | M4*12 BLACK 2TYPE | EA | 1 |
| 6 | 2411818 | SPRING, DG-100H | SWPA RIGHT L=8 φ0.65 | EA | 1 |
| 35 | 2412409 | O-RING(C), DGJ-100K | φ45.4φ0.75 NBR | EA | 1 |
| 29 | 2417210 | BALL BEARING, DG-850 | 607,RS C3 V2 LA07 | EA | 1 |

| | | | | | |
|----|---------|-----------------------------------|--------------------------|----|---|
| 13 | 2417347 | NEEDLE BEARING, DG-100H | HK0709B 10.98MM | EA | 1 |
| 39 | 2417918 | BALL BEARING DG-100B | 6001UUCMM CW | EA | 1 |
| 16 | 2417942 | BALL BEARING DG-100B | 608 RS CW (DDWC2) | EA | 1 |
| 22 | 3004924 | ARMATURE ASSY DG-850 | 0.37*N1=22T/N2=16T | EA | 1 |
| 21 | 3010011 | STATOR ASSY,220V,DG-850 | 0.55*115T | EA | 1 |
| 48 | 3100024 | WHEEL GUARD ASSY,DG-125E | 125mm,EN | EA | 1 |
| 33 | 3110173 | CORD ASSY(EXPORT) DG-851 | 220V,H05RN-F,2C*1.0*2800 | EA | 1 |
| 50 | 3110316 | CAPACITOR ASSY | 0.22UF | EA | 1 |
| 23 | 3149171 | BRUSH HOLDER ASSY DG-850 | DG-850 | EA | 2 |
| | 7729143 | NAME PLATE(CE),DG-852 | PET | EA | 1 |
| | 7738672 | KEYANG LABEL, DG-852 | PET | EA | 1 |
| | 7740286 | INSTRUCTION MANUAL(EXPORT),DG-850 | | EA | 1 |
| | 7753296 | COLOR BOX ASSY,DG-852 | | EA | 1 |
| | 7754795 | BOX ASSY,DG-850 | 8SETS | EA | 1 |