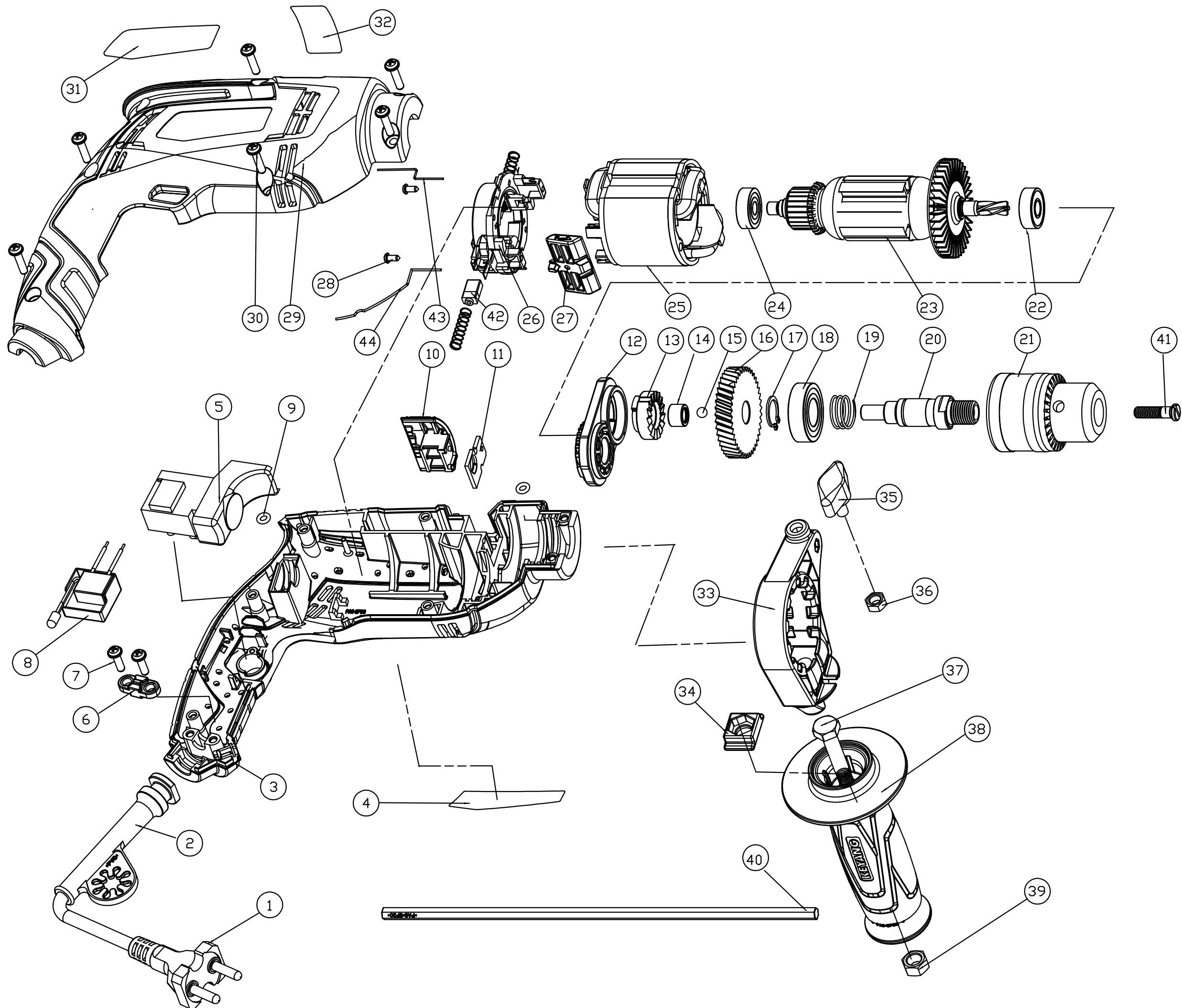


DMV-13K

13mm IMPACT DRILL

2012. 04. 24



**PARTS**

DMV-13K

Item no.	Part no.	Description	Q'ty	RSP (%)	Remark
1	3115513	[SZ]CORD ASS'Y,230V(H05VV-F 2C*0.75)	1	10	
2	2070329	[SZ]CORD ARMOR(PVC,NEW),PD-6K	1		
3	2141167	[SZ]HOUSING(L) ASS'Y,DMV-13K	1	5	
4	7737965	[SZ]PRODUCT LABEL,DMV-13K	1		
5	2009740	TRIG.S/W(250V,50HZ),DMV-13K	1	12	
6	2130509	[SZ]STRAIN RELIEF(NYLON #6)PD-	1		
7	2405073	[SZ]+PAN HD TAP SCREW(M4*14 YE	2		
8	3110324	[SZ]LED BOARD ASS'Y(220V),DMV-	1	5	
9	2412403	[SZ]O-RING(P4 NBR)PDS2-10	2		
10	2130412	[SZ]CHANGE LEVER,DMV-13K	1		
11	2057623	[SZ]PLATE,DMV-13K	1		
12	2044567	[SZ]INNER COVER,DMV-13K	1	5	
13	2054102	RATCHET(MG),DMV-570	1	5	
14	2417344	NEEDLE BEARING(HK0808)	1	2	
15	2416026	[SZ]STEEL BALL(SUJ-2,D5.5,HRC	1	2	
16	2024316	GEAR(MG),DMV-570	1	5	
17	2412077	[SZ]C-RING(D15,SHAFT)	1		
18	2417911	[SZ]BALL BEARING(6002ZZCMM,CW)	1	2	
19	2411826	[SZ]SPRING(SWP-A),DMV-13	1		
20	2023173	[SZ]SPINDLE,DMV-13K	1	5	
21	2456215	[SZ]KEYLESS CHUCK(1.5-13)	1	5	
22	2417942	[SZ]BALL BEARING(608RS,CW)	1	2	
23	3001407	[SZ]ARMATURE ASS'Y(JU,BMC),230-240	1	10	
24	2417910	[SZ]BALL BEARING(627ZZC2,CW)	1	2	
25	3011340	[SZ]STATOR ASS'Y(JU),DMV-13K	1	5	
26	3149190	BRUSH SHIFT ASS'Y_R1,DMV-16K	1		
27	2115121	[SZ]REVERSE KNOB, DMV-16K	1		

\* RSP : Recommended Spare Part

**PARTS**

DMV-13K

Item no.	Part no.	Description	Q'ty	RSP (%)	Remark
28	2405168	+PAN HD TAP SCREW(M3*7),DMV-13	2	2	
29	2141168	[SZ]HOUSING(R) ASS'Y,DMV-13K	1	2	
30	2405146	[SZ]+PAN HD TAP S & PW(M4*20)	7		
31	7910562	[SZ]NAME PLATE(CE)	1		
33	2125030	[SZ]HANDLE GRIP,DMV-13K	1		
34	2125032	[SZ]BOLT HOLDER,DMV-13K	1		
35	2135096	[SZ]KNOB(M6*20),DMV-13	1		
36	2403050	[SZ]HEX NUT(M6 BLACK)DG-150B	1		
37	2400010	[SZ]HEX HD BOLT(M8*50),DMV-13K	1		
38	2125031	[SZ]SIDE HANDLE(KEYANG),DMV-13	1		
39	2403128	[SZ]HEX HD NUT(M8),DMV-13K	1		
40	2110022	[SZ]STOPPER(PA6 33%GF 250),DMV	1		
41	2404813	[SZ]SPECIAL SCREW(M6*24.5,LEFT	1		
42	2011382	CARBON BRUSH(118B10),DMV-16K	2	5	
43	2074138	PACKING UP	1		
44	2074139	PACKING DOWN	1		
	2141168	[SZ]HOUSING(R) ASS'Y,DMV-13K	1		INCL. 43,44
	3149190	BRUSH SHIFT ASS'Y_R1,DMV-16K	1	5	INCL. 26,42
	3156907	SPINDLE ASS'Y	1	2	INCL. 15-20
	3149169	SIDE HANDLE ASS'Y	1	2	INCL. 33-39

\* RSP : Recommended Spare Part

**STANDARD ACCESSORIES**

Item no.	Part no.	Description	Q'ty	RSP (%)	Remark
	3149169	SIDE HANDLE ASS'Y,DMV-13K	1		
	2110022	[SZ]STOPPER(PA6 33%GF 250),DMV-570	1		
	2459061	BAG	1		
	2459051	TOOL BOX	1		