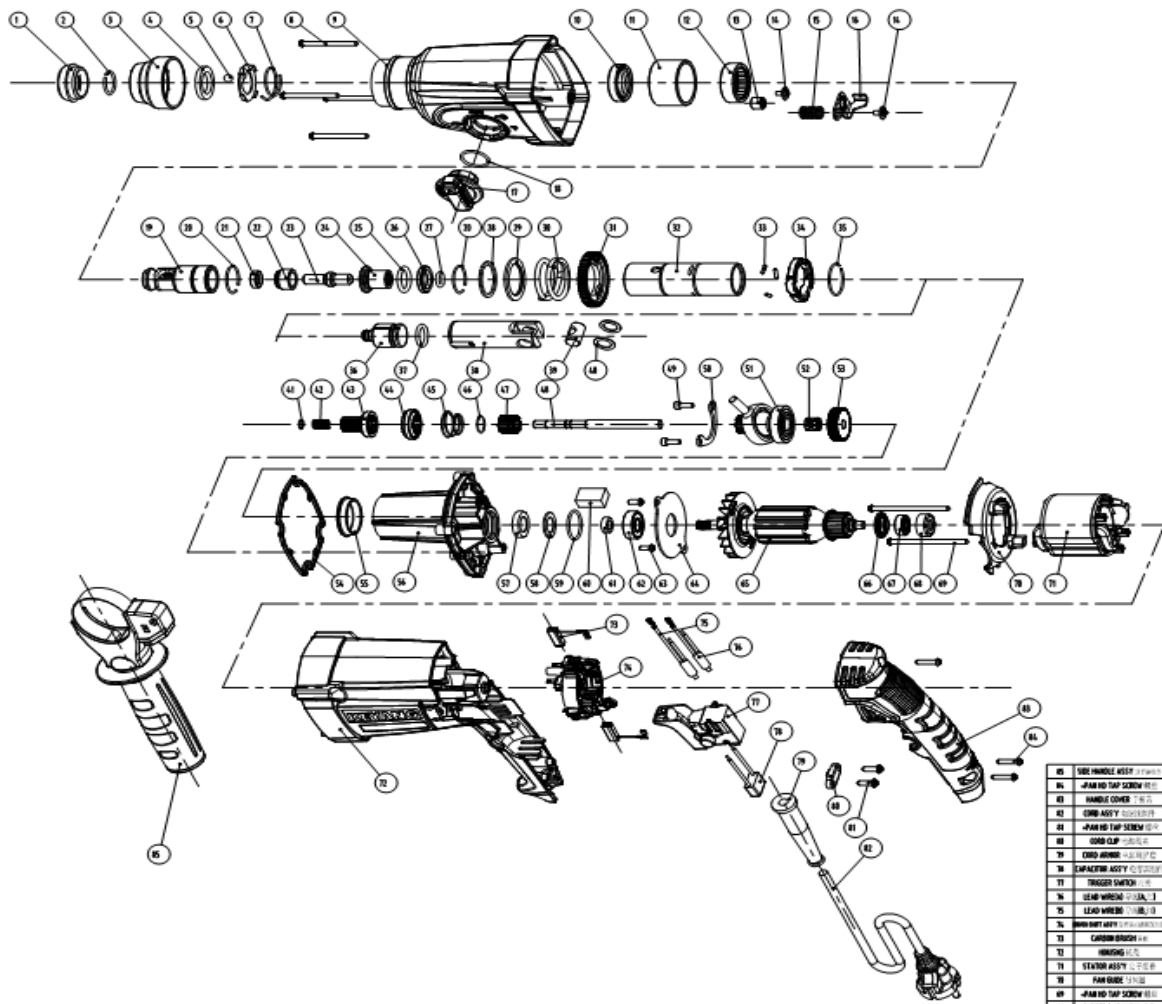


| NO | P/N | DESCRIPTION | SPEC. | UNIT | NEED |
|----|----------------|---|---|------|------|
| | 9800177 | HAMMER DRILL(EXPORT,230V),PHD-283B | 230V 800W 28mm | ST | 1 |
| 1 | 2070608 | DUST COVER PHD-283B | NBR | EA | 1 |
| 2 | 2064294 | HOLDER RING PHD-22 | SWP-2 | EA | 1 |
| 3 | 2130114 | TOOL HOLDER COVER PHD-283B | PA6-GF33 | EA | 1 |
| 4 | 2050637 | HOLDER BUSH RHD-243 | SK5 T4.0(RHD-243) | EA | 1 |
| 5 | 2416023 | STEEL BALL MV-14 | 7.14MM | EA | 1 |
| 6 | 2064266 | BALL SUPPORT PLATE RHD-263 | SK-5 T1.0 | EA | 1 |
| 7 | 2411883 | SPRING(B) PHD-22 | SWP-2(PHD-22) | EA | 1 |
| 8 | 2405251 | +PAN HD TAP S AND PW BLACK 2TYPE(M4*45)PHD-283B | M4*45 | EA | 4 |
| 9 | 2140418 | GEAR COVER PHD-283B | PA6-GF33 | EA | 1 |
| 10 | 2413035 | OIL SEAL PHD-24 | D25*D35*8 | EA | 1 |
| 11 | 2200839 | NEEDLE BEARING HOUSING PHD-283B | SMF4030 | EA | 1 |
| 12 | 2417380 | [SZ]NEEDLE BEARING(DIWEI,HK3012) | RHD-263 | EA | 1 |
| 13 | 2417218 | NEEDLE BEARING,DG-100A | HK0709B | EA | 1 |
| 14 | 2401405 | SPECIAL SCREW PHD-283 | M4*10 2TYPE(+PAN HD TAP S AND PW BLACK 2TYPE) | EA | 2 |
| 15 | 2411972 | CLUTCH HOLDER SPRING PHD-283B | PW2 φ1 | EA | 1 |
| 16 | 2050456 | CLUTCH HOLDER PHD-283B | SK5 | EA | 1 |
| 17 | 3240330 | CHANGE LEVER ASSY PHD-283B | | EA | 1 |
| 18 | 2412456 | O-RING(F) φ2*21 PHD-283B | FKM φ2*21 DH-3600L | EA | 1 |
| 19 | 2038221 | TOOL HOLDER PHD-283B | 20CrMo | EA | 1 |
| 20 | 2064265 | DAMPER RING SPRING RHD-243 | PW2(RHD-243) | EA | 2 |
| 21 | 2413041 | OIL SEAL(D9.2X16X8) PHD-283B | FKM D9.2X16X5 | EA | 1 |
| 22 | 2030362 | ANVIL BUSH PHD-283B | 20CrMo | EA | 1 |
| 23 | 2030154 | ANVIL PHD-283B | 42CrMo | EA | 1 |
| 24 | 2031310 | DAMPER BUSH PHD-283B | 20CrMo | EA | 1 |
| 25 | 2412434 | O-RING(DAMPER) RHD-243 | FKM EF815(RHD-243) | EA | 1 |
| 26 | 2200406 | DAMPER BUSH(B) PHD-283B | 20CrMo | EA | 1 |
| 27 | 2412433 | O-RING(CATCHER) RHD-243 | FKM EF815(RHD-243) | EA | 1 |
| 28 | 2412103 | UNIFORM SECTION RING PHD-283B | φ30 | EA | 1 |
| 29 | 2036809 | CLUTCH WASHER RHD-243 | SCP1(RHD-243) | EA | 1 |
| 30 | 2411973 | CLUTCH SPRING PHD-283B | SWO-B φ4 | EA | 1 |

| | | | | | |
|----|----------------|-------------------------------------|--------------------------------|----|---|
| 31 | 2200407 | FINAL GEAR PHD-283B | SMF5040 (Ni 4Percent) M=1 Z=49 | EA | 1 |
| 32 | 2031020 | CYLINDER PHD-283B | 20CrMo | EA | 1 |
| 33 | 2409413 | PIN(C) RHD-243 | SM45C(RHD-243) | EA | 3 |
| 34 | 2200408 | CLUTCH DISC PHD-283B | SMF5040 | EA | 1 |
| 35 | 2064264 | GEAR RING SPRING RHD-243 | PW2(RHD-243) | EA | 1 |
| 36 | 2036025 | STRIKER PHD-283B | 20CrMo | EA | 1 |
| 37 | 2412472 | O-RING(B)(STRIKER) PHD-283B | FKM(DH-3600L) | EA | 1 |
| 38 | 2033919 | PISTON PHD-283B | AL2024-T6 | EA | 1 |
| 39 | 2033812 | PISTON PIN RHD-243 | SCM440 | EA | 1 |
| 40 | 2060807 | PISTON PIN WASHER RHD-243 | SCP1(RHD-243) | EA | 2 |
| 41 | 2412104 | SNAP RING PHD-283B | φ7 S TYPE | EA | 1 |
| 42 | 2411832 | CLUTCH(B) SPRING RHD-243 | PW2(RHD-243) | EA | 1 |
| 43 | 2200842 | CLUTCH(B) PHD-283B | SMF5040 (Ni 4Percent) | EA | 1 |
| 44 | 2200841 | CLUTCH(A) PHD-283B | SMF5040 (Ni 4Percent) | EA | 1 |
| 45 | 2411970 | CLUTCH(A) SPRING PHD-283B | PW2 | EA | 1 |
| 46 | 2411971 | RING SPRING PHD-283B | ID15*φ1 | EA | 1 |
| 47 | 2200840 | CLUTCH PHD-283B | SMF5040 (Ni 4Percent) | EA | 1 |
| 48 | 2020811 | DRIVING SHAFT PHD-283B | 20CrMo | EA | 1 |
| 49 | 2401068 | HEX SOC HD BOLT(M4*10,COAT) RHD-263 | M4*10 | EA | 2 |
| 50 | 2050635 | BEARING COVER(A) PHD-283B | SK5 | EA | 1 |
| 51 | 2417829 | SWASH BEARING PHD-283B | (OD35,D9) | EA | 1 |
| 52 | 2417383 | NEEDLE ROLLER RHD-263 | CAGE,IKO,KT8X12X11 diwei | EA | 1 |
| 53 | 2024368 | FIRST GEAR PHD-283B | 20CrMo M=0.8 Z=37 | EA | 1 |
| 54 | 2075134 | SEAL PACKING PHD-283B | NBR | EA | 1 |
| 55 | 2200409 | METAL BUSH RHD-243 | RHD-243 | EA | 1 |
| 56 | 2044704 | INNER COVER PHD-283B | ALDC12 | EA | 1 |
| 57 | 2054240 | BEARING FELT PHD-283B | WOOL | EA | 1 |
| 58 | 2050209 | FELT WASHER PHD-283B | STC5 | EA | 1 |
| 59 | 2412467 | O-RING(A) PHD-283B | NBR D2*25 INNER COVER | EA | 1 |
| 60 | 2054303 | FELT PHD-283B | WOOL | EA | 1 |
| 61 | 2030905 | FELT BUSH PHD-283B | SM45C | EA | 1 |
| 62 | 2417296 | BALL BEARING 6000DDW LFK PHD-283B | 6000DDW LFK 游隙3~8μm | EA | 1 |

| | | | | | |
|----|----------------|--------------------------------------|----------------------------|----|---|
| 63 | 2404118 | +PAN HD M/C SCREW M4*10 DG-100B | M4*10 COAT | EA | 2 |
| 64 | 2050636 | BEARING COVER(B) PHD-283B | SK5 | EA | 1 |
| 65 | 3001920 | ARMATURE ASSY (230V) PHD-283B | φ0.37*24T/18T,BS0 | EA | 1 |
| 66 | 2131749 | DUST PLATE PHD-283B | PA6-GF33 | EA | 1 |
| 67 | 2417990 | BALL BEARING 607 LFB,DG-850B | 607 2RS H2012-318/C3-8 LFB | EA | 1 |
| 68 | 2072334 | RUBBER PACKING PHD-283B | NBR | EA | 1 |
| 69 | 2405148 | +PAN HD TAP S and PW M4*70, DGJ-100K | M4*70 BLACK | EA | 2 |
| 70 | 2120419 | FAN GUIDE PHD-283B | PA6-GF33 | EA | 1 |
| 71 | 3010047 | STATOR ASSY PHD-283B | φ0.5*162T,220V | EA | 1 |
| 72 | 2110382 | HOUSING PHD-283B | PA6-GF33 | EA | 1 |
| 73 | 2011401 | CARBON BRUSH PHD-283B | L26F12 | EA | 2 |
| 74 | 3149207 | BRUSH SHIFT ASSY PHD-283B | | EA | 1 |
| 75 | 2012324 | CHOKE COIL ASSY(B)PHD-283B | BLACK | EA | 1 |
| 76 | 2012323 | CHOKE COIL ASSY(A)PHD-283B | RED | EA | 1 |
| 77 | 2009758 | TRIG. S/W (DEFOND) PHD-283B | 220V~240V 60Hz | EA | 1 |
| 78 | 3111518 | CAPACITOR ASSY DV-13K | 275V 0.22uF | EA | 1 |
| 79 | 2070334 | CORD ARMOR DG-100B | INSERT 型 PVC 4mm ? 9 | EA | 1 |
| 82 | 3115703 | CORD ASSY(EXPORT) ACT-115M | 230V H07RN-F 2C*1.0*4000 | EA | 1 |
| 83 | 2120368 | HANDLE COVER ASSY PHD-283B | PA6-GF33 + TPE | EA | 1 |
| 80 | 2130507 | CORD CLIP, DG-100B | PA6 | EA | 1 |
| 84 | 2405160 | +PAN HD TAP S AND PW(M4*25) RHD-263 | M4*25 | EA | 3 |
| 85 | 3251711 | SIDE HANDLE ASSY PHD-283B | | EA | 1 |



| | | | | |
|----|-------------------|---|------------|--|
| 65 | SIDE HANDLE ASSY | 1 | | |
| 66 | FRAM TO TAP SCREW | 3 | PA-05 | |
| 67 | HANDLE COVER | 1 | PA-02 | |
| 68 | END ASST | 1 | PA-08 | |
| 69 | FRAM TO TAP SCREW | 2 | PA-05 | |
| 70 | END CLIP | 1 | | |
| 71 | END ARMOR | 1 | PVC | |
| 72 | CAPACITOR ASSY | 1 | 4.5UF | |
| 73 | TRIGGER SWITCH | 1 | | |
| 74 | LEAD WIRE | 1 | 2mm | |
| 75 | LEAD WIRE | 1 | 3mm | |
| 76 | INSULATION TAPE | 1 | | |
| 77 | CARDON BRUSH | 2 | 1.5MP | |
| 78 | WINDING | 1 | PA-02 | |
| 79 | STARTER ASSY | 1 | PA-02 | |
| 80 | FRAM SIDE | 1 | PA-02 | |
| 81 | FRAM TO TAP SCREW | 2 | PA-05 | |
| 82 | RUBBER PACKING | 1 | NR | |
| 83 | BALL BEARING | 1 | 4ET 303-LF | |

| | | | | |
|-----|-------------------|---|-----------|------------|
| 40 | BEET PLATE | 1 | PA-02 | |
| 41 | ADJUSTER ASSY | 1 | | |
| 42 | BEARING COVER | 1 | STES | |
| 43 | FRAM TO TAP SCREW | 1 | PA-05 | |
| 44 | BALL BEARING | 1 | 400004-LF | |
| 45 | FELT | 1 | SWRC | |
| 46 | FELT | 1 | WOL | |
| 47 | O-RING | 1 | NR | |
| 48 | BEARING WASHER | 1 | STES | |
| 49 | BEARING ROLT | 1 | WOL | |
| 50 | SHOCK COVER | 1 | AL6063 | |
| 51 | METAL BUSH | 1 | 80219 | |
| 52 | SEAL RING | 1 | NR | |
| 53 | FRIST GEAR | 1 | 20046 | |
| 54 | MIDDLE BEARING | 1 | 40048 | |
| 55 | SHOCK BEARING | 1 | STES | |
| 56 | FRIST GEAR | 1 | 20046 | |
| 57 | CLUTCH | 1 | SMP30A | |
| 58 | RING SPRING | 1 | PA2 | |
| 59 | CUTTER SPRING | 1 | SMP30A | |
| 60 | CUTTER SPRING | 1 | SMP30A | |
| 61 | CUTTER SPRING | 1 | SMP30A | |
| 62 | CUTTER SPRING | 1 | PA2 | |
| 63 | SPRING | 1 | | 020-1 |
| 64 | PISTON PIN HOLDER | 2 | STES | |
| 65 | PISTON PIN | 1 | 408 | |
| 66 | PISTON | 1 | AL2017-10 | |
| 67 | O-RING | 1 | NR | 020-0.2 |
| 68 | STROKER | 1 | 20046 | |
| 69 | GEAR RING SPRING | 1 | PA2 | |
| 70 | CLUTCH | 1 | SMP30A | |
| 71 | FRIST GEAR | 1 | 20046 | 02.5 |
| 72 | CLUTCH | 1 | 20046 | |
| 73 | FRIST GEAR | 1 | SMP30A | |
| 74 | CUTTER SPRING | 1 | 20046 | 04 |
| 75 | CUTTER WASHER | 1 | SO1 | |
| 76 | WASHER | 1 | | 020, 040FT |
| 77 | O-RING | 1 | NR | 020-0.2 |
| 78 | DAMPER WASHER | 1 | SMP30A | |
| 79 | O-RING | 1 | NR | |
| 80 | DAMPER WASHER | 1 | 20046 | |
| 81 | AROL | 1 | 40046 | |
| 82 | AROL BUSH | 1 | 20046 | |
| 83 | AROL | 1 | 20046 | |
| 84 | AROL BUSH | 1 | 20046 | |
| 85 | AROL | 1 | 20046 | |
| 86 | AROL BUSH | 1 | 20046 | |
| 87 | AROL | 1 | 20046 | |
| 88 | AROL BUSH | 1 | 20046 | |
| 89 | AROL | 1 | 20046 | |
| 90 | AROL BUSH | 1 | 20046 | |
| 91 | AROL | 1 | 20046 | |
| 92 | AROL BUSH | 1 | 20046 | |
| 93 | AROL | 1 | 20046 | |
| 94 | AROL BUSH | 1 | 20046 | |
| 95 | AROL | 1 | 20046 | |
| 96 | AROL BUSH | 1 | 20046 | |
| 97 | AROL | 1 | 20046 | |
| 98 | AROL BUSH | 1 | 20046 | |
| 99 | AROL | 1 | 20046 | |
| 100 | AROL BUSH | 1 | 20046 | |

PHD-2838
 苏州电机(苏州)有限公司
 283-001

