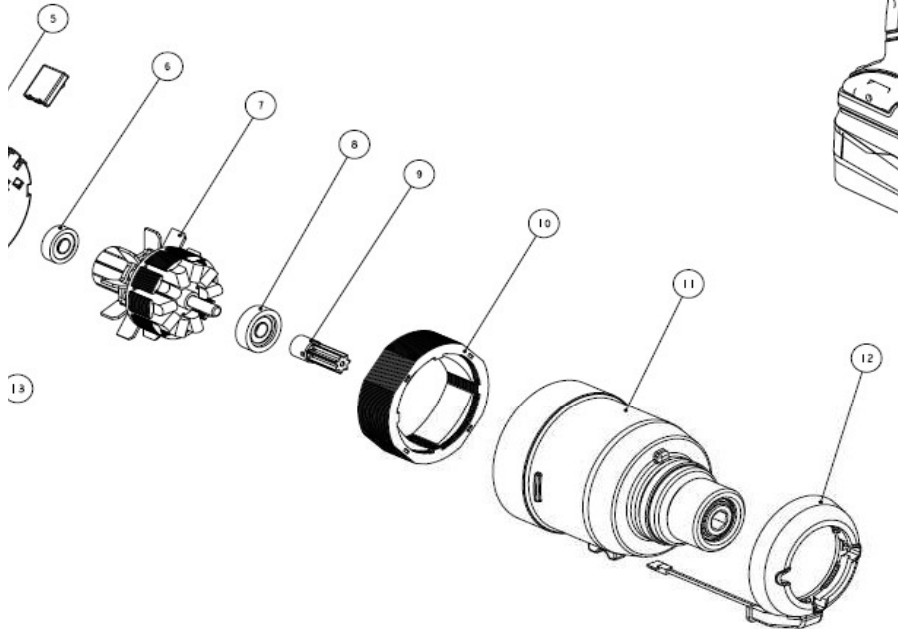


**DID-1801L EXPLODED VIEW(#8003808)**

No.	Part No.	Description	QTY
1	2405068	+PAN HD TAP SCREW(M3*16, 흑, 2종)KCS-1062	10.0
2	2131804	HOUSING CAP ASS'Y, DID-1801L(BR)	1.0
3	2075008	RUBBER PIN, DID-1440L	2.0
4	2131802	HOUSING(R&L) ASS'Y, DID-1801L(BR)	1.0
5	3149218	BRUSH HOLDER ASS'Y, DID-1801L	1.0
6	2417082	BALL BEARING(625ZZ)	1.0
7	3005848	A/R ASS'Y(18V), DID-1801L	1.0
8	2417209	BALL BEARING(695ZZ)	1.0
9	2025004	PINION GEAR, DID-1801L	1.0
10	3019916	S/T ASS'Y(T14.5), DID-1801L	0.0
11	3109171	[SZ]IMPACT DRIVER GEAR BOX ASS'Y, DID-1801L	1.0
12	3119291	LED COVER ASS'Y, DID-1801L	1.0

13	2406202	+TRUSS HD M/C SCREW(M4*8,BLACK)	1.0	
14	2065246	HOOK(BELT CLIP), ASD-1800L	1.0	
15	2103068	REVERSE KNOB(ORANGE),DID-1440L	1,0	
16	-	FERRITE CORE A	1.0	
17	3119469	SWITCH ASS'Y(EGJ-10,18VDC)DIW-1801L,VOICE MODULE	1,0	
18	-	FERRITE CORE B	1,0	
19	2131773	PCB HOLDER ASS'Y	1,0	
20	3150429	TERMINAL (D) ASS'Y, ASD-1800L	1,0	
21	3119437	BATTERY PACK ASS'Y(18V,4.0AH)	1.0	
22	7729355	NAME PLATE, DID-1801L	1.0	



22	NAME PLATE	1
21	BATTERY ASS'Y	1
20	TERMINAL(D)	1
19	PCB HOLDER ASS'Y	1
18	FERRITE CORE B	1
17	SWITCH ASS'Y	1
16	FERRITE CORE A	1
15	REVERSE KNOB	1
14	HOOK	1
13	TRUSS MC SCREW	1
12	LED COVER ASS'Y	1
11	GEAR BOX ASS'Y	1
10	STATOR ASS'Y	1
9	PINION	1
8	BALL BEARING	1
7	ARMATURE ASS'Y	1
6	BALL BEARING	1
5	BRUSH HOLDER ASS'Y	1
4	HOUSING ASS'Y	1
3	RUBBER PIN	2