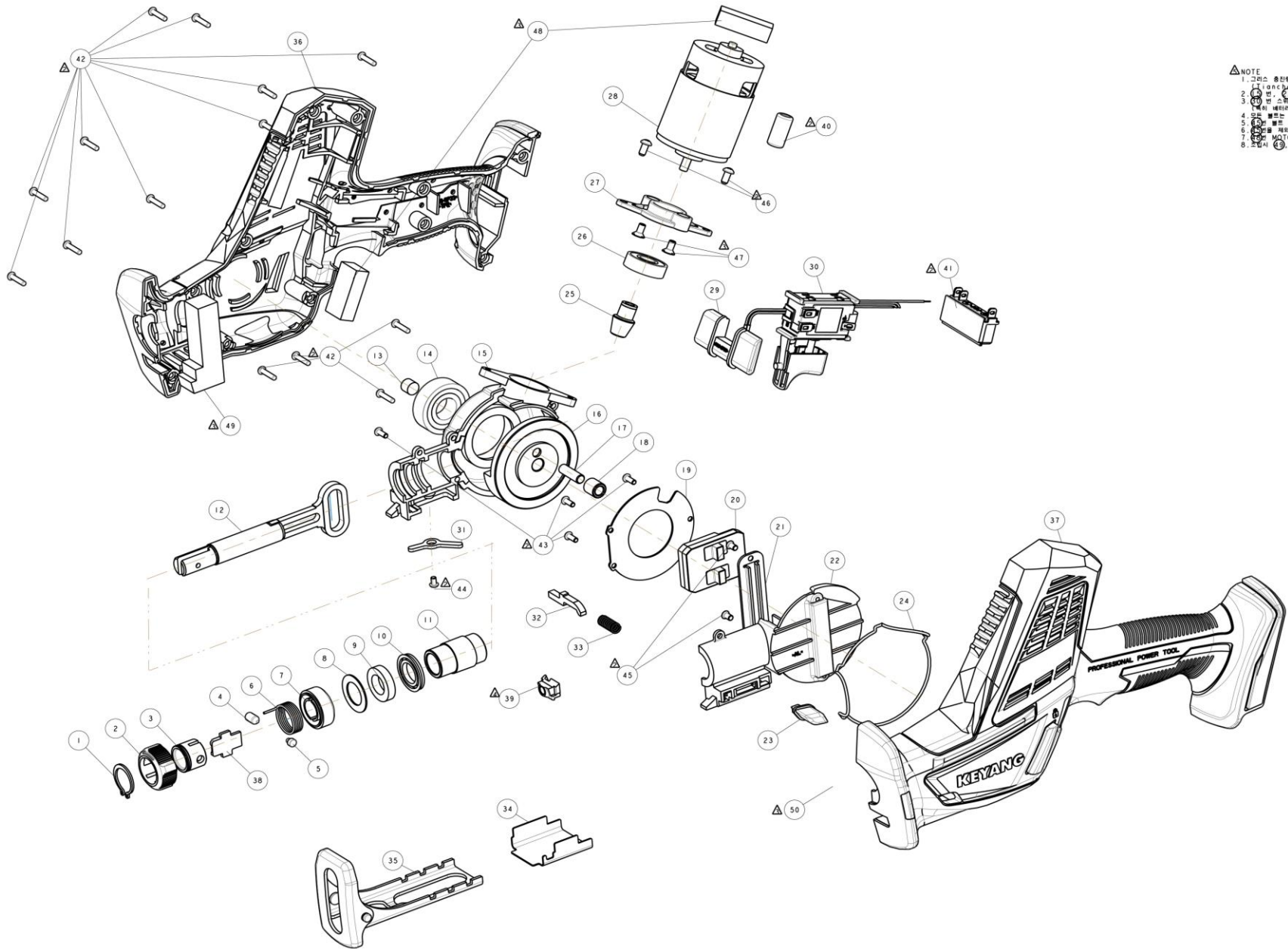


NO	PN	DESCRIPTION	SPEC.	UNIT	LPK	NEED
	8190002	RECIPROCATING SAW , RS18L-O [往复锯 , 裸机]	KEM,BEARTOOL	SET	209	1
1	2412107	RETAINING RING C SHAFT 18,RS1300 [卡簧]	DRIVING SLEEVE 18	EA	208	1
2	2030595	DRIVING SLEEVE,RS18L-O [驱动套筒]	φ26*12 (增加竖槽)	EA	201	1
3	2030580	PIN HOLDER,RS18L-O [销座]	Φ18X14 20CrMo 切槽	EA	208	1
4	2030585	CLAMP PIN , RS18L-O [锁紧销]	GCr15	EA	208	1
5	2030584	SHOULDER PIN,RS18L-O [肩部销]	GCr15	EA	208	1
6	2030688	TORSION SPRING RS18L-O [扭簧]	PW2(与RS1300用弹力不同)	EA	208	1
7	2120117	SPRING GUIDE,RS1300 [衬套]	PA6-GF33	EA	208	1
8	2050647	HOLDER WASHER,RS1300 [支撑垫片]	T0.8XΦ25.4	EA	208	1
9	2050496	HOLDER FELT,RS18L-O [羊毛垫圈]	WOOL	EA	208	1
10	2071815	SEAL PACKING,RS1300 [橡胶圈]	FKM	EA	208	1
11	2030485	SLIDER BUSH [滑块衬套]	RS18L-O	EA	208	1
12	3150165	SLIDER ASM [滑块组件]	RS18L-O	EA	248	1
13	2418084	FELT SHIM [羊毛垫圈]	RS18L-O	EA	208	1
14	2417294	BALL BEARING HC-14K [滚珠轴承]	6202VV C4/11 , H2012-53,LFB	EA	208	1
15	2040171	GEAR COVER A [齿轮盖A]	RS18L-O	EA	208	1
16	2024188	GEAR [齿轮]	RS18L-O	EA	208	1
17	2030482	GEAR PIN [传动销轴]	RS18L-O	EA	208	1
18	2030483	GEAR PIN BUSH [衬套]	RS18L-O	EA	208	1
19	2050433	GEAR COVER PLATE [齿轮罩板]	RS18L-O	EA	208	1
20	2200136	COUNTER WEIGHT [配重块]	RS18L-O	EA	208	1
21	2050434	C/W PLATE [C/W板]	RS18L-O	EA	208	1
22	2040172	GEAR COVER B [齿轮箱B]	RS18L-O	EA	208	1
23	2110721	FOOT BUTTON [按钮]	RS18L-O	EA	208	1
24	2070235	O-RING [O型圈]	RS18L-O(橡胶)	EA	208	1
25	2024187	PINION [小齿轮]	RS18L-O	EA	208	1
26	2417296	BALL BEARING 6000DDW LFK PHD-283B [球轴承]	6000DDW LFK 游隙3~8μm 保持架铆接	EA	208	1
27	2030481	MOTOR BRACKET [马达支架]	RS18L-O	EA	208	1
28	2010022	DC MOTOR [DC MOTOR]	18V	EA	208	1
29	2111144	SWITCH LEVER (ORANGE) ,RS18L-O [换向杆]	ORANGE	EA	208	1
30	3112240	SWITCH RS18L-O [开关]	jiaben 颜色 : ORANGE KNOB	EA	208	1
31	2030480	FOOT LINK [支撑连接件]	RS18L-O	EA	208	1

32	2030479	FOOT PIN [脚销]	RS18L-O	EA	208	1
33	2418085	FOOT SPRING [支撑弹簧]	RS18L-O	EA	208	1
34	2050431	FOOT PLATE [支撑板]	RS18L-O	EA	208	1
35	3100149	FOOT ASSY,RS18L-O [锯片导向板]	RIVET工程	EA	208	1
36	2111146	HOUSING_R(BROWN),RS18L-O [机壳 (右)]	BROWN TPE包胶材料1140306	EA	208	1
37	2111145	HOUSING_L(BROWN),RS18L-O [机壳 (左)]	BROWN TPE包胶材料1140306	EA	208	1
38	2200142	CLAMP PLATE [夹板]	RS18L-O	EA	208	1
39	2070279	LED COVER,RS18L-O [LED照明灯罩]	橡胶	EA	208	1
40	3210112	FERRITE CORE,RS18L-O [电磁环]	9.53*5.08*22.20(NI-ZN)	EA	208	1
41	3150436	TERMINAL D ASSY , BC-1800 [端子组件 (BC-1800)]	-	EA	208	1
42	2400086	PAN HD TAP SCREW [M3X16自攻螺丝]	M3X16	EA	208	4
42	2400427	PAN HD TAP SCREW M3X19,RS18L-O [M3X19自攻螺丝]	M3X19自攻螺丝	EA	208	11
43	2400288	M/C SCREW M3*8 RS18L-O [十字盘头螺钉]	M/C SCREW M3*8 (十字盘头+螺纹胶)	EA	208	4
44	2400376	M/C SW+FW SCREW M3*6 RS18L-O [十字盘头螺钉(带垫片)]	M/C SW+FW SCREW M3*6 (十字盘头带垫片)	EA	208	1
45	2400286	FLAT M/C SCREW M3*6 , RS18L-O [M3*6机械平头螺丝]	M3*6	EA	208	2
46	2400289	M/C SCREW M4*8 RS18L-O [十字盘头螺钉]	M/C SCREW M4*8 (十字盘头+螺纹胶)	EA	208	2
47	2400381	FLAT M/C SCREW M4*7 RS18L-O [十字平头螺钉]	FLAT M/C SCREW M4*8 (十字平头+螺纹胶)	EA	208	2
48	2418111	MOTOR SPONGE,RS18L-O [海绵块]	(减震,防异物进入)	EA	208	1
	2070294	NON WOVEN FABRIC RS18L-O [减震胶布]	40*145mm 无纺布	EA	208	1
25,26,27,28,46,47,48	3150164	MOTOR ASSY, RS18L-O		EA	208	1



△NOTE
 1. 2. 3. 4. 5. 6. 7. 8.

