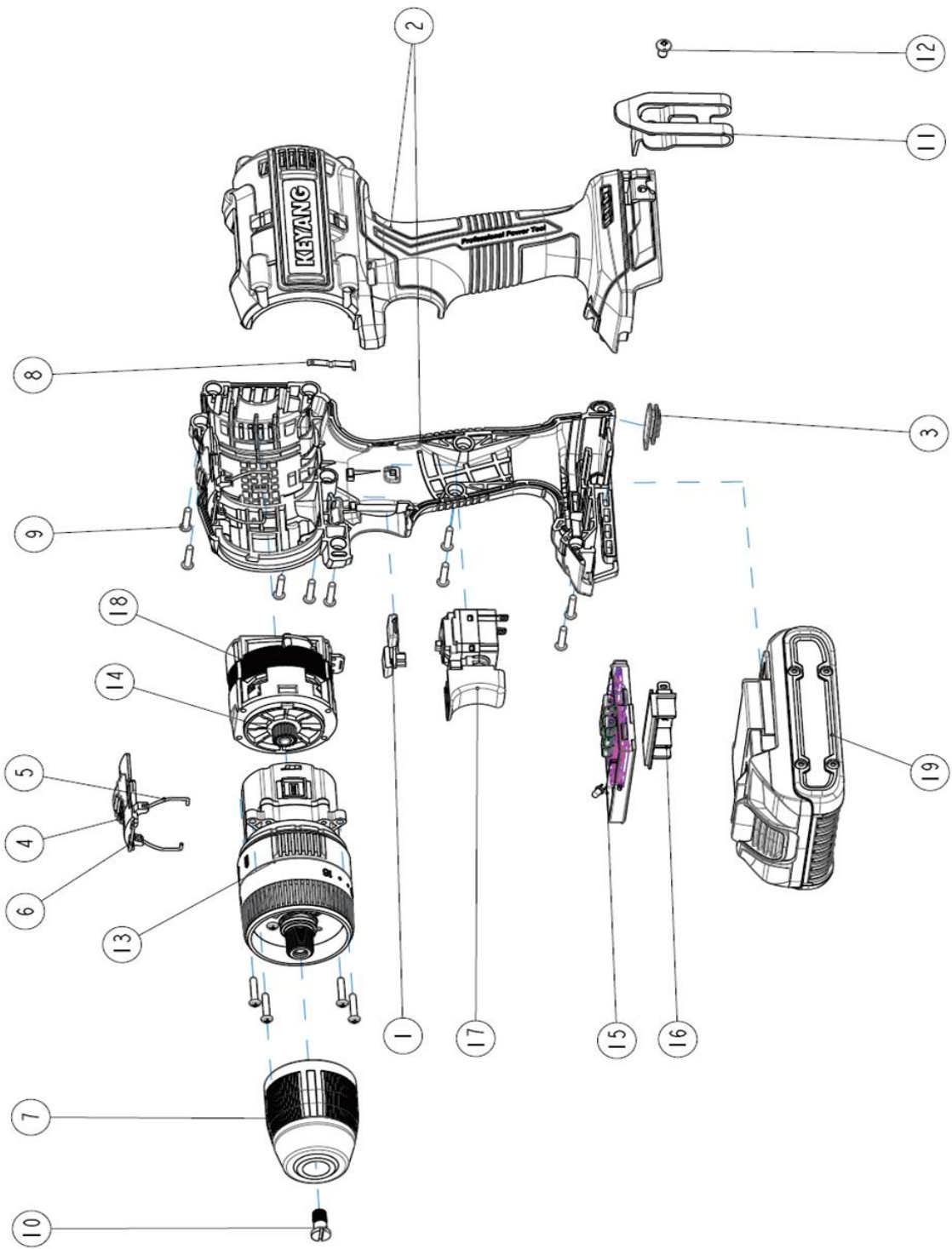


DM18BL-W (8004199)



**18V Cordless Hammer Drill DM18BL-W(2.0Ah) 8004199(EU, CE)**

| Item no. | Part no. | Description | Q'ty | Remark |
|----------|----------|---------------------------------|------|---------------------|
| 1 | 2111151 | REVERSE KNOB | 1 | |
| 2 | 3240049 | HOUSING SUB ASS'Y | 1 | HOUSING L&R ASS'Y |
| 3 | 2075138 | RUBBER DAMPER | 1 | |
| | 3150272 | SHIFT KNOB ASS'Y | 1 | INCLUDE #4,5,6 |
| 4 | 2111155 | SHIFT KNOB | 1 | |
| 5 | 2050585 | KNOB SPRING(B) | 1 | |
| 6 | 2412087 | KNOB SPIRING(A) | 1 | |
| 7 | 2418136 | KEYLESS CHUCK | 1 | |
| 8 | 2056412 | CLICK SPRING | 1 | |
| 9 | 2400086 | +PAN HD TAP SCREW(M3*16) | 13 | |
| 10 | 2403826 | SPECIAL SCREW(M6*22,LEFT SCREW) | 1 | |
| 11 | 2065246 | HOOK | 1 | |
| 12 | 2406202 | +TRUSS HD M/C SCREW(M4*8) | 1 | |
| 13 | 3109336 | GEAR BOX ASS'Y | 1 | |
| | 3007015 | CONT+MOTOR SUB ASS'Y | 1 | INCLUDE #14~18, A~H |
| 14 | 2024378 | PINION GEAR | 1 | |
| 15 | - | CONTROLLER | 1 | |
| 16 | 3150261 | TERMINAL D ASSY | 1 | |
| 17 | 3112223 | SWITCH | 1 | |
| 18 | 3010131 | STATOR ASSY | 1 | |
| A | 2100528 | FAN GUIDE | 1 | |
| B | 2100529 | MOTOR FRONT COVER | 1 | |
| C | 2100545 | MOTOR REAR COVER | 1 | |
| D | 2400428 | TAP SCREW | 4 | |
| E | 2412478 | RUBBER A | 1 | |
| F | 3006061 | ROTOR ASSY | 1 | |
| G | 2011790 | MAGNET | 4 | |
| H | 2417503 | BALL BEARING(695ZZ,LFB) | 2 | |
| | | | | |